

**! SAFETY INFORMATION**

Please read and understand this entire manual before attempting to assemble, install or operate the product.

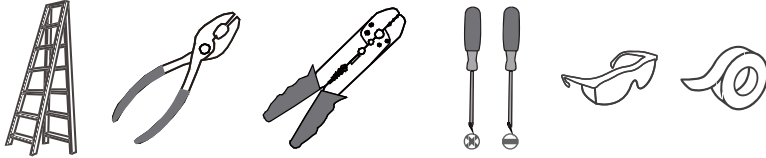
**WARNING**

- RISK OF ELECTRIC SHOCK - Before beginning installation, turn off electricity at the circuit breaker box or the main fuse box.

**CAUTION**

- For your safety, read instructions completely before beginning installation.
- If in doubt about electrical installation, consult a licensed electrician.

**TOOLS REQUIRED**



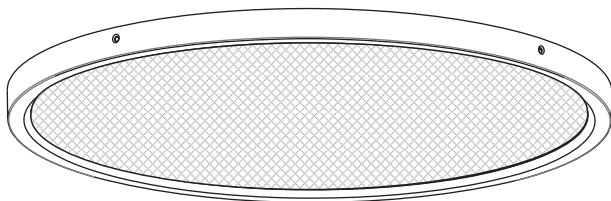
Rating	120Vac, 60Hz	
	Model No.	Wattage
	OSTC1720EK	28W
	OSTA1720BRG	28W

**CARE AND MAINTENANCE**

- Wipe clean using soft, dry cloth or static duster. Always avoid using harsh chemicals and abrasives to clean fixture as they may damage the finish.

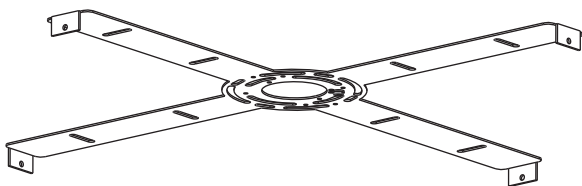
If you need further assistance call Quoizel Customer Care at 1-800-645-3184 (9:00am - 5:00pm EST), or visit us on-line at [www.quoizel.com](http://www.quoizel.com).

**PACKAGE CONTENTS**



**A** Fixture Body  
x 1

**MOUNTING HARDWARE**



**AA** Inner Backplate  
x 1



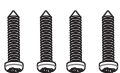
**BB** Mounting Screw  
x 4



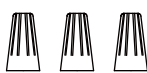
**CC** Wall Anchor  
x 4



**DD** Flat Washer  
x 4



**EE** Screw  
x 4



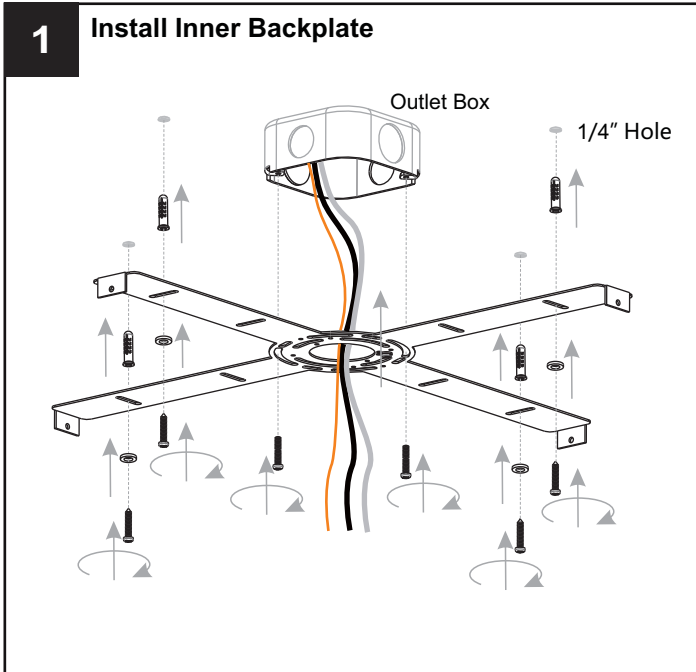
**FF** Wire Connector  
x 3



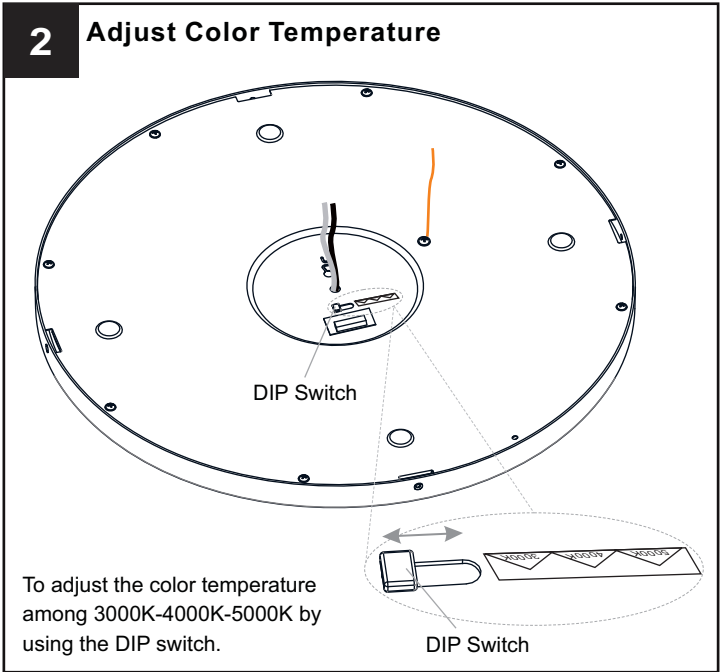
**GG** Outlet Box Screw  
x 2

# INSTALLATION

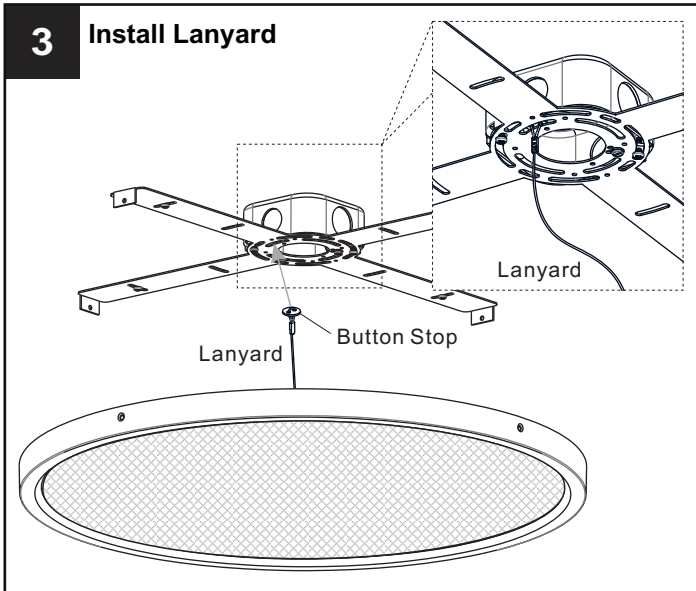
## 1 Install Inner Backplate



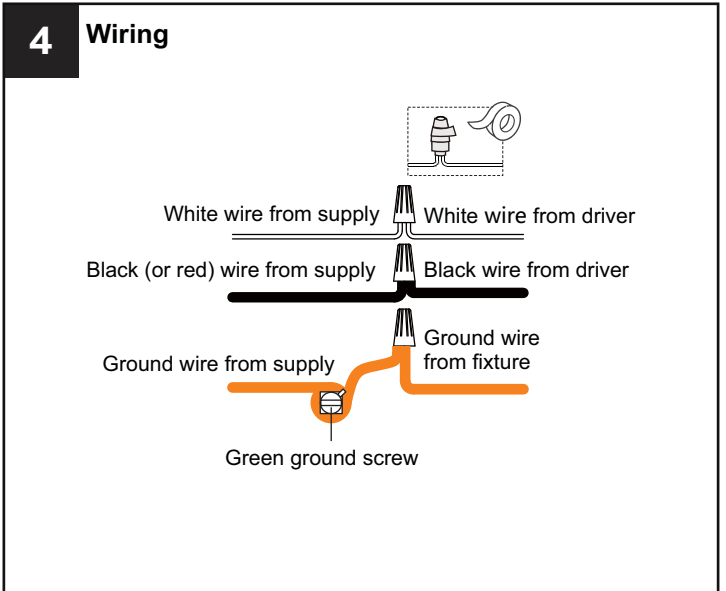
## 2 Adjust Color Temperature



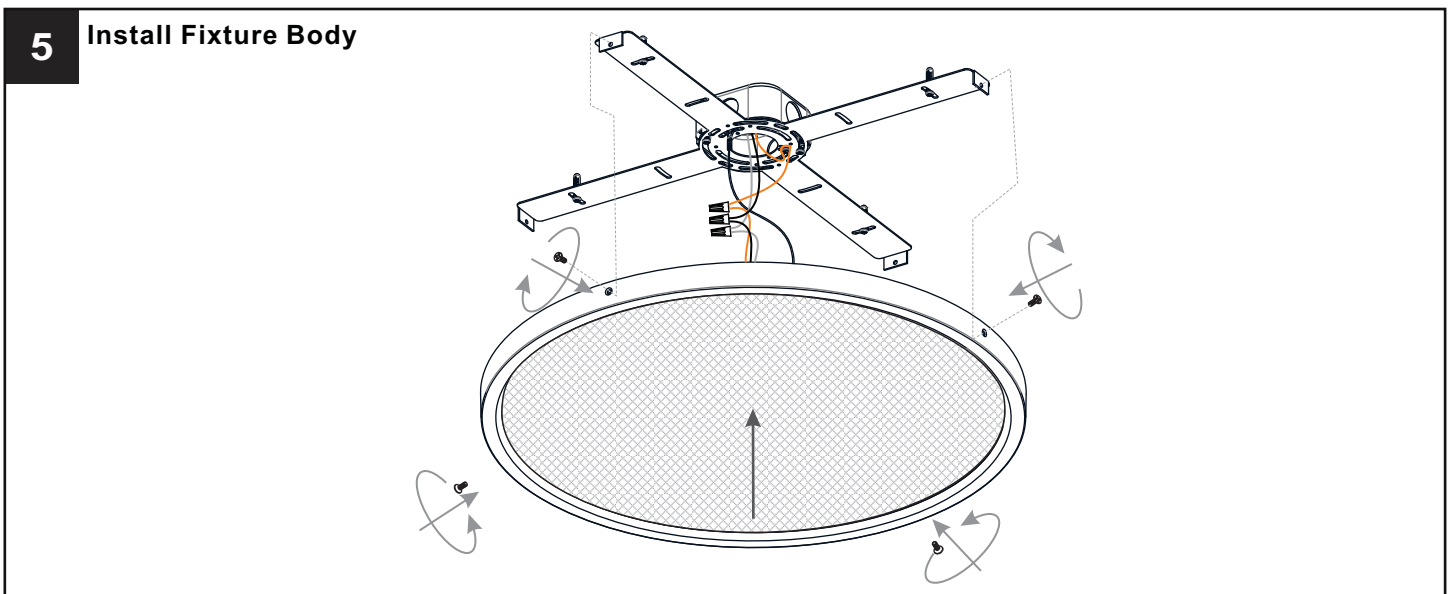
## 3 Install Lanyard



## 4 Wiring



## 5 Install Fixture Body



Your installation is now complete! Restore electricity and save this sheet for future reference.